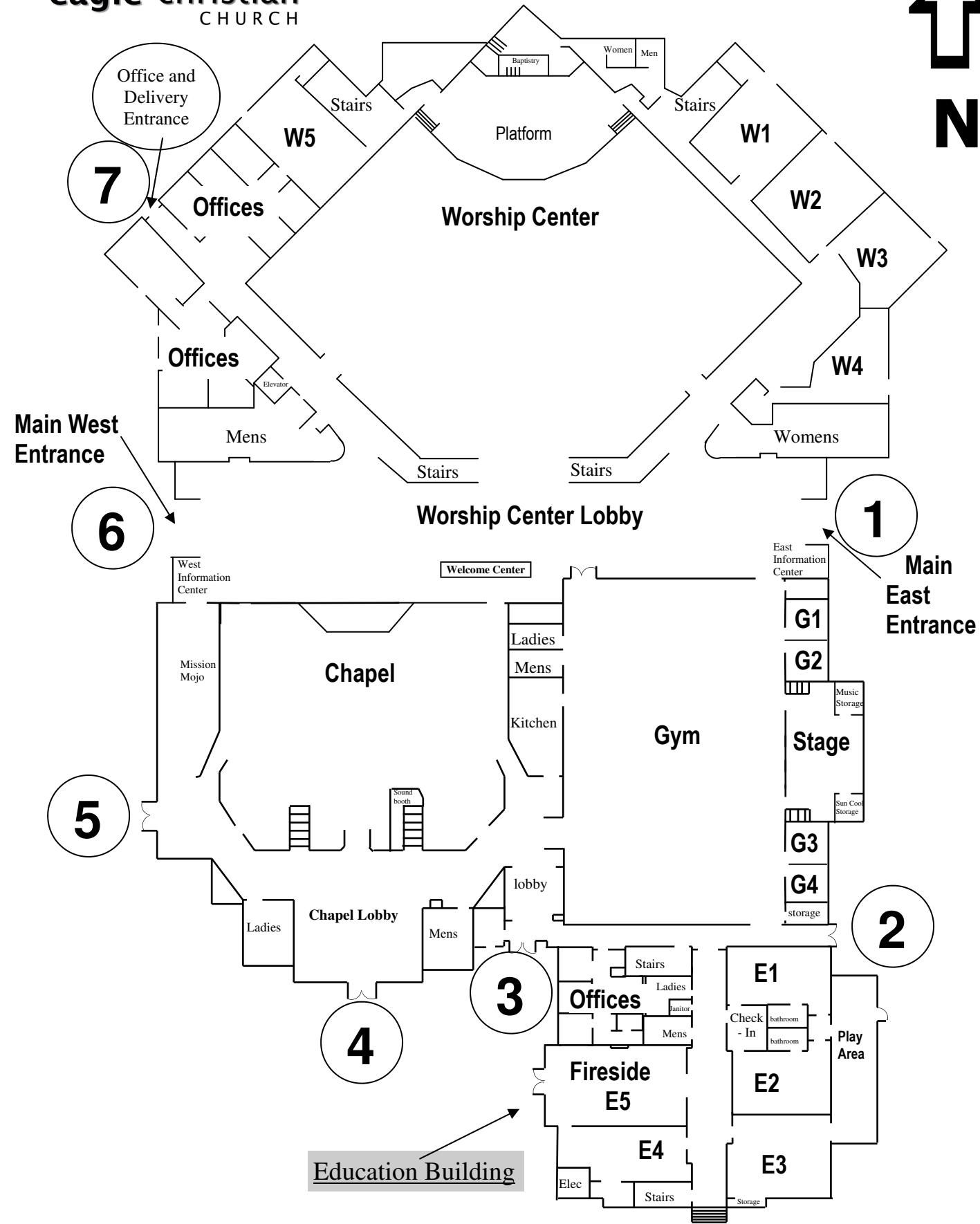
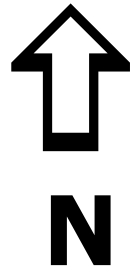
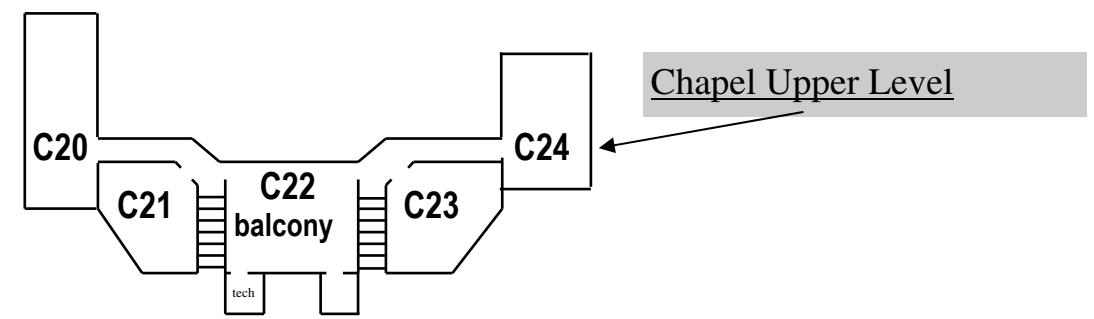
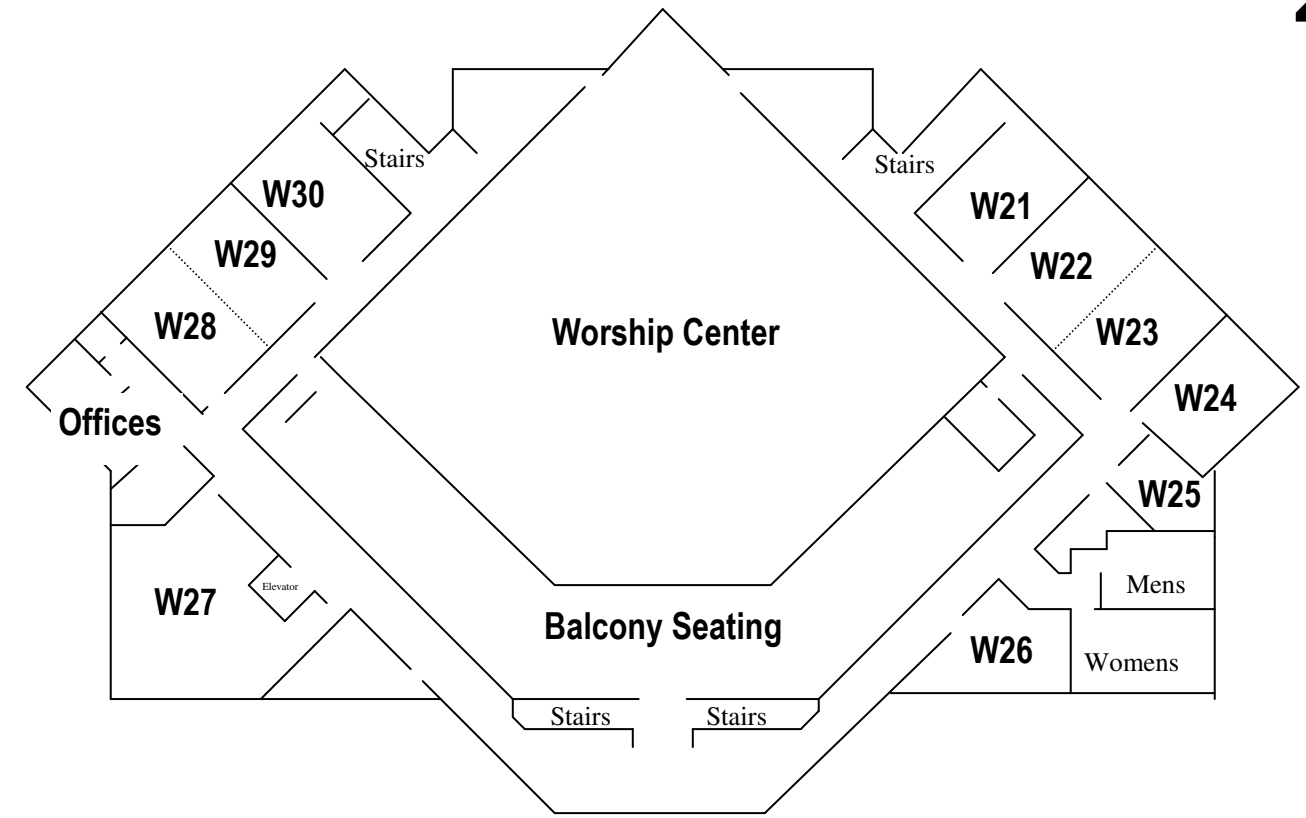




Lower Level



Upper Level



Education Building Upper Level

